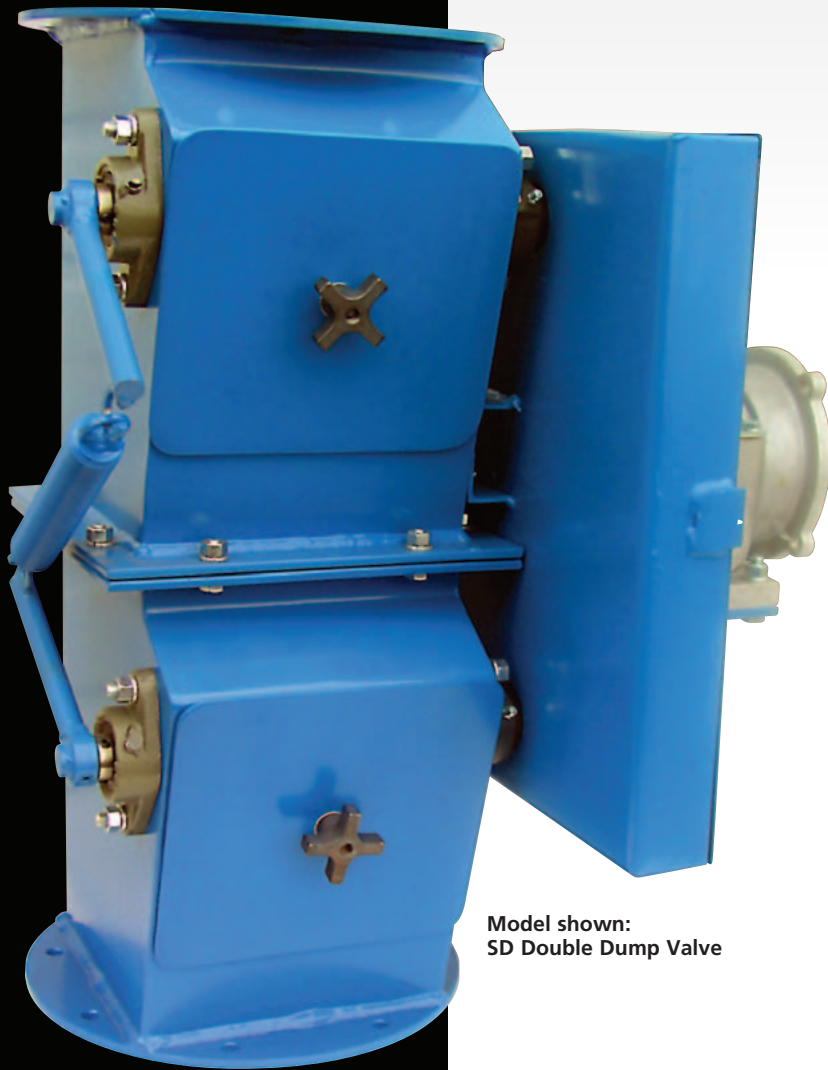


Aerodyne®

Gator Gate Double Dump Valve

The Aerodyne Gator Gate Double Dump Valve works where standard rotary valves can't do the job. It can move chunky, fibrous, and abrasive material that would jam or cause excessive wear to rotary valves. Using tandem gates that open and close alternately, the Gator Gate is able to maintain the proper pressure above and below the valve. Typically used in negative pressure systems, this material handling valve ensures that a positive air seal is maintained without the intrusion of outside air.

Based on application requirements, this Double Dump valve can be equipped with a motor driven cam, pneumatic air cylinders, or pneumatic diaphragm actuators to provide the lock-hopper sequence. These rotary-free functions provide low maintenance operation in dust collection or gravity feed hoppers.



Model shown:
SD Double Dump Valve

Standard Features:

- Heavy duty carbon steel fabrication
- Heavy duty gear reducer and cam mechanism
- Quick removing doors for easy clean out
- Enclosed drive and cam mechanism for safety
- Outboard bearings for easy maintenance
- Spring assisted closure mechanism
- Standard motors: 110/220 50-60Hz or 230/460 60-50Hz

Optional Features:

- Center spool piece extensions available to increase capacity
- Stainless steel construction
- Explosion proof motors
- Models available with replaceable throats
- High temp options
- Pneumatic drives and pneumatic gate systems available
- High pressure situation units available

Aerodyne®

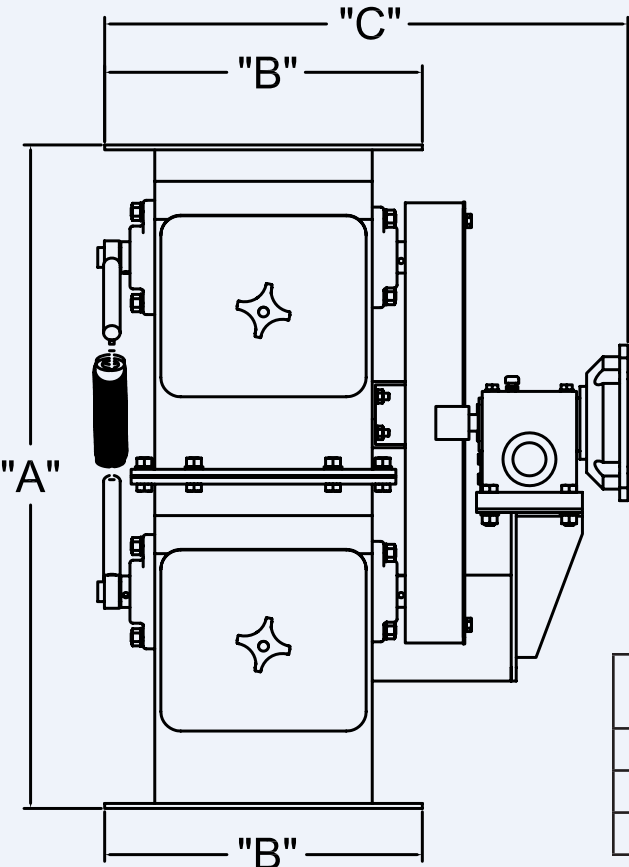
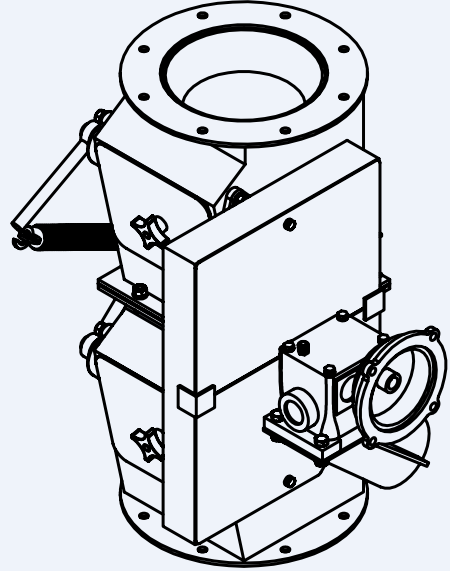
A DIVISION OF
ABANAKI
CORPORATION

17387 Munn Road
Chagrin Falls, OH 44023
Phone: (440) 543-7400
Fax: (440) 543-7404
DC@DustCollectorHQ.com
1-800-358-7546
www.DustCollectorHQ.com



direct separation solutions

Gator Gate Double Dump Valve

Model	A	B dia.	C	Max. Capacity Cu. Ft./Hr.
8"	25.06	12.00	20.00	85
10"	31.81	14.50	22.25	162
12"	34.06	18.00	25.62	320



Aerodyne®

A DIVISION OF
ABANAKI
CORPORATION

17387 Munn Road
Chagrin Falls, OH 44023
Phone: (440) 543-7400

Fax: (440) 543-7404
DC@DustCollectorHQ.com
1-800-358-7546

www.DustCollectorHQ.com

direct separation solutions

24 Thirty Sixth Street * Toronto, ON * M8W3K9
647-343-6595 www.directseparation.ca