

Aerodyne®

Rhino™ Rotary R Valve®



The Aerodyne Rhino Rotary "R" Valve is designed for continuous discharge of dry, free-flowing, low-abrasive solids in gravity flow or low-pressure systems. This rotary airlock valve is equipped with neoprene rubber-tipped rotor vanes, ensuring a superior seal and cost-efficient maintenance over steel rotor vanes. Widely used in applications such as the bottom of cyclonic dust collectors and baghouse hoppers, the Rhino Rotary "R" Valve's steel plate construction gives it a distinct advantage in quality, flexibility and durability over cast valves. Optional urethane tipped rotor vanes, explosion-proof drive motor, and stainless steel construction are also available upon request.

Standard Features

- Heavy Duty Steel Plate Fabrication
- Shrouded Rotor
- 6 Vane Neoprene Tipped Rotor
- Chain Drive Right Angle Gearbox
- Available with TEFC Motor
- Outboard Bearings for Easy Maintenance
- Can Handle Temperatures to 175°F
- Max. 20" W.C.

Optional Features

- Stainless Steel Construction
- Urethane Tipped Rotor Vanes for better wear
- Explosion-proof Motor
- Custom Sizes Available
- Specialty valves are available upon request for hard-to-handle materials such as fiberglass.

Typical industries that use these valves include: foundry, mining, cement, pharmaceutical, cereal, plastics, chemical and manufacturing.



Clean
Our
World!

Aerodyne®

A DIVISION OF

ABANAKI
CORPORATION

17387 Munn Road

Chagrin Falls, OH 44023

Phone: (440) 543-7400

Fax: (440) 543-7404

DC@DustCollectorHQ.com

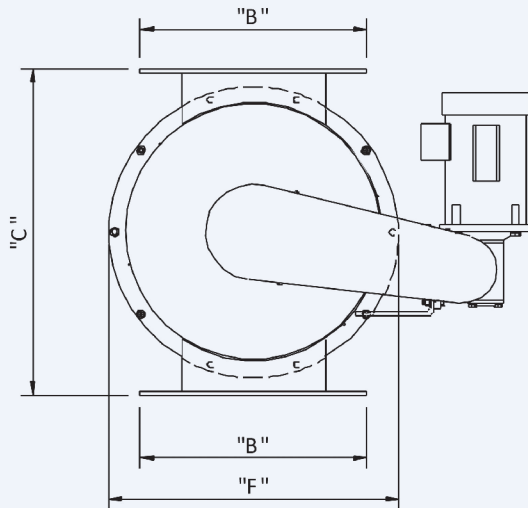
1-800-358-7546

www.DustCollectorHQ.com

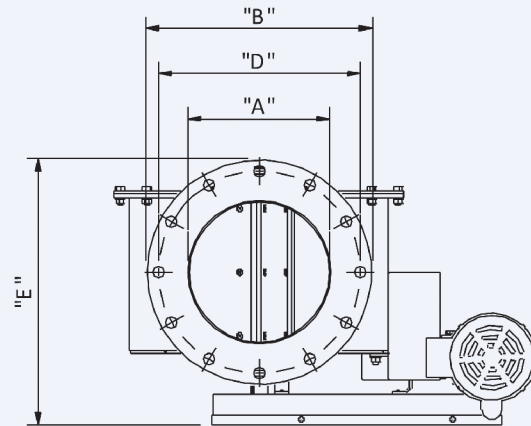
direct separation solutions

Aerodyne® Rhino™ Rotary R Valve

Rhino™ Rotary R Valve



SIDE VIEW



TOP VIEW

Model	HP	Cap/Rev Cu. Ft. per rev.	A ID	B OD	C	D BC	E Approx.	F OD
6	½	0.24	6	9.25	15	8	14.63	12.5
8	¾	0.63	8	11.25	19	10	16.63	16.5
10	1	1.30	10	13.25	23	12	18.75	20.5
12	1½	2.50	12	15.25	27	14	21.56	24.5
16	2	5.41	16	19.25	35	18	26.10	32.5

Normal running speed 20 RPM



Aerodyne®

A DIVISION OF
ABANAKI
CORPORATION

17387 Munn Road
Chagrin Falls, OH 44023
Phone: (440) 543-7400
Fax: (440) 543-7404

DC@DustCollectorHQ.com

1-800-358-7546

www.DustCollectorHQ.com

direct separation solutions

24 Thirty Sixth Street * Toronto, ON * M8W3K9

647-343-6595

www.directseparation.ca